

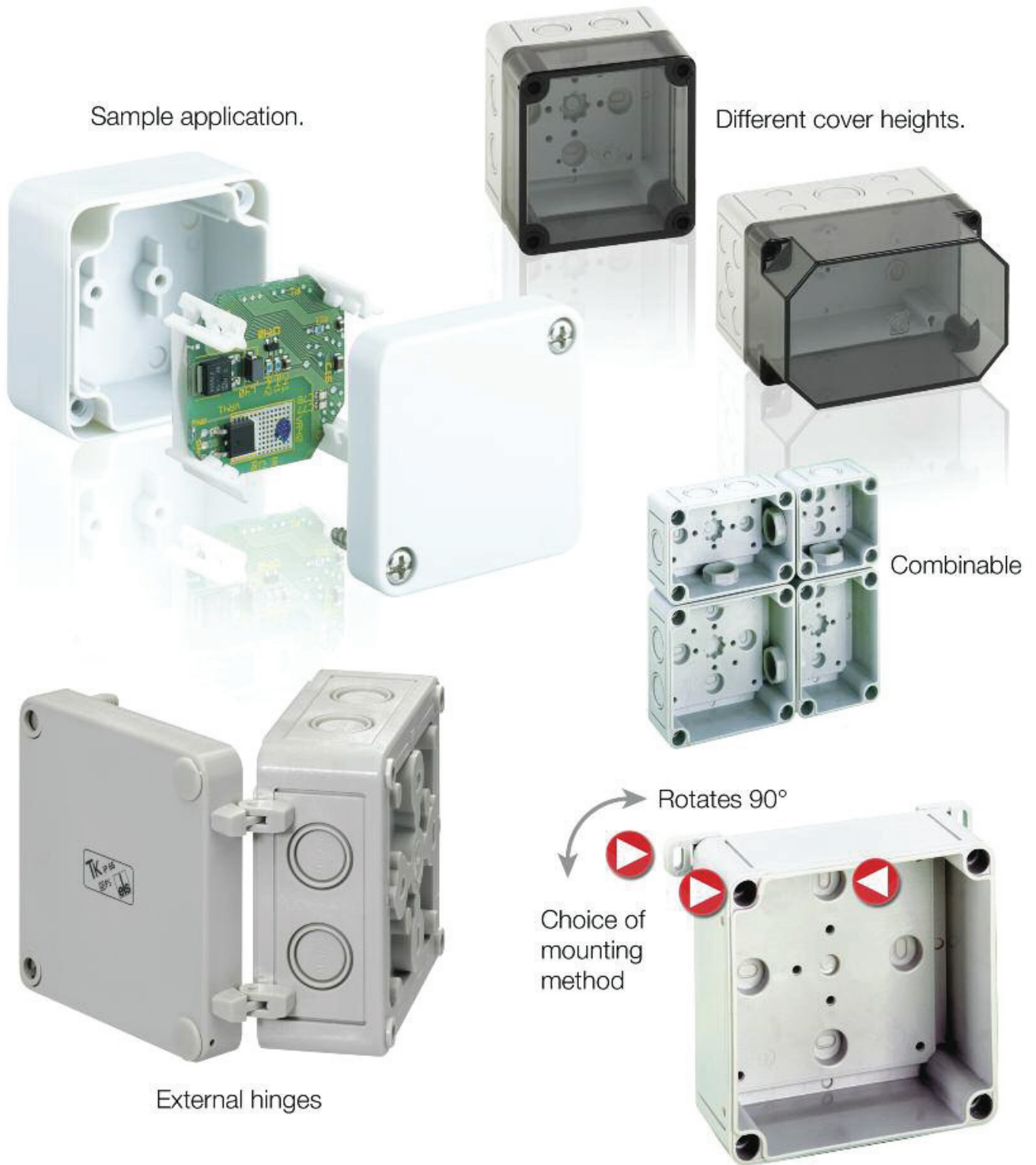


TK Series

Designed for tough industrial environments and a wide variety of applications, TK Enclosures are available with standard gray or tinted transparent covers in several heights. Sidewalls are supplied smooth or with knockouts. Precision molded from impact and flame resistant materials, they offer functionality and appealing solutions for diverse application requirements.

- 16 different enclosures with up to 3 different cover heights
- IP66 (NEMA 4X)
- Polystyrene or Polycarbonate
- Gray or tinted transparent covers
- Smooth sidewalls or sidewalls with knockouts
- Four cover mounting screws
- Tongue and groove with polyurethane gasket (CFC free)
- Gasket inserted by robots
- HF - EMC models available
- Knockout mounting holes in enclosure base
- Screw fastening cover design requires six turns to lock
- Dust and moisture proof
- Non flammable and halogen free

The TK Choice



TK 55/TK75 – Polycarbonate – 50 x 52 mm (1.97 x 2.05 in.) / 65 x 50 mm (2.56 x 1.97 in.)

Standard Features

- **Protection Level:** IP66 (NEMA Type: 4X with gray cover, 12K with transparent cover)
- **Technical:**
 - Smooth Sidewalls
 - 1 Sidewall Knockout or Integral Cable Gland (5-10mm cable diameter)
 - Gray or Clear Transparent Cover
- **Enclosure Materials:** Polycarbonate
- **Gasket Material:** Polyurethane
- **Color:** Light Gray
- **Material**
 - Temperature Range:** Polycarbonate
-40°C to 120°C (-40°F to 248°F)
- **Accessories:** See section below



TK55 - 50 x 52 mm

Polycarbonate

Ordering Information	Height mm (in)	Cat. No.	Type	Cover Color	Std. Pk.
☐ Enclosure - smooth sidewall	35 mm (1.38 in)	120-455	PC 55-4-o	gray	5
☐ Enclosure - smooth sidewall	35 mm (1.38 in)	130-455	PC 55-4-to	trans.	5
☐ Enclosure - metric knockout	35 mm (1.38 in)	127-455	PC 55-4-m	gray	5
☐ Enclosure - metric knockout	35 mm (1.38 in)	137-455	PC 55-4-tm	trans.	5
☐ Enclosure - Integral Cable Gland	35 mm (1.38 in)	129-455	PC 55-4-v	gray	5
☐ Enclosure - Integral Cable Gland	35 mm (1.38 in)	139-455	PC 55-4-tv	trans.	5

TK75 - 65 x 50 mm

Polycarbonate

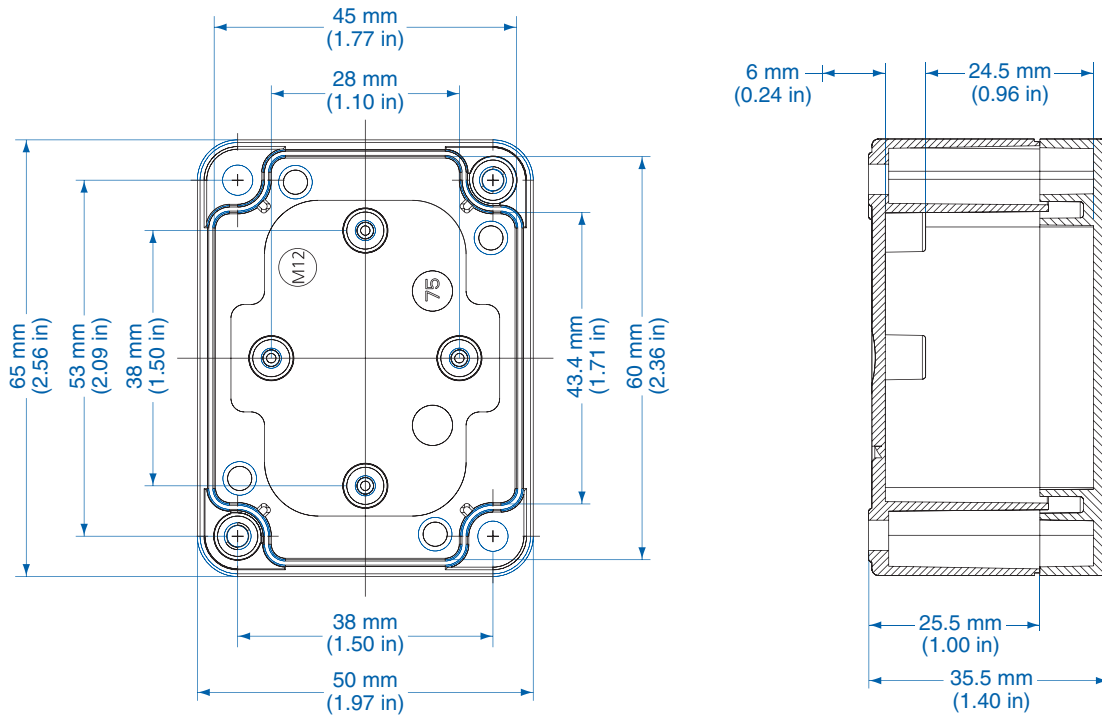
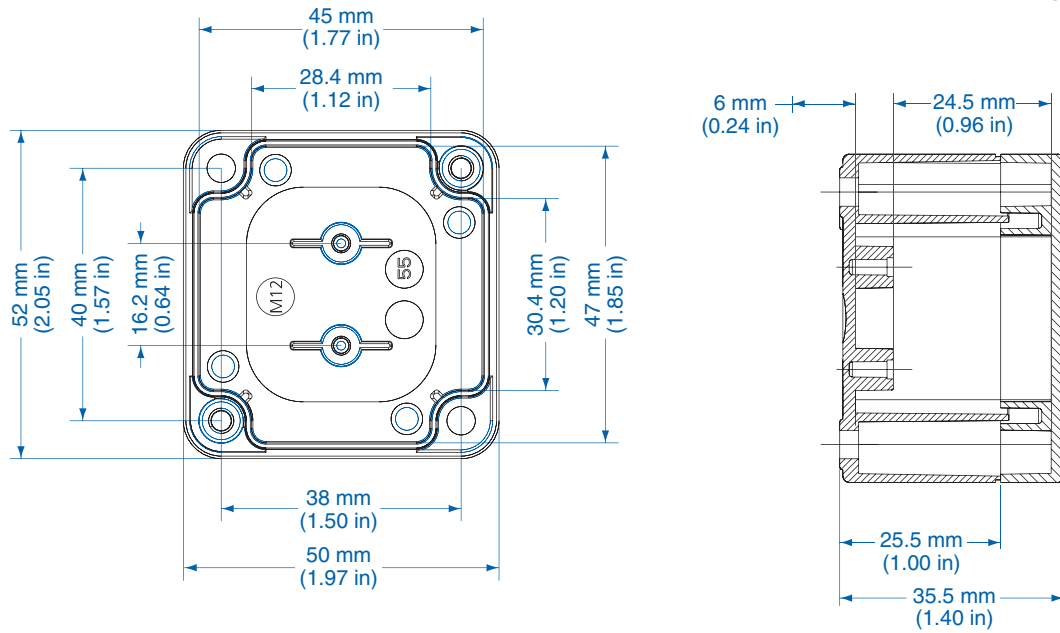
Ordering Information	Height mm (in)	Cat. No.	Type	Cover Color	Std. Pk.
☐ Enclosure - smooth sidewall	35 mm (1.38 in)	120-475	PC 75-4-o	gray	5
☐ Enclosure - smooth sidewall	35 mm (1.38 in)	130-475	PC 75-4-to	trans.	5
☐ Enclosure - metric knockout	35 mm (1.38 in)	127-475	PC 75-4-m	gray	5
☐ Enclosure - metric knockout	35 mm (1.38 in)	137-475	PC 75-4-tm	trans.	5
☐ Enclosure - Integral Cable Gland	35 mm (1.38 in)	129-475	PC 75-4-v	gray	5
☐ Enclosure - Integral Cable Gland	35 mm (1.38 in)	139-475	PC 75-4-tv	trans.	5

Accessories

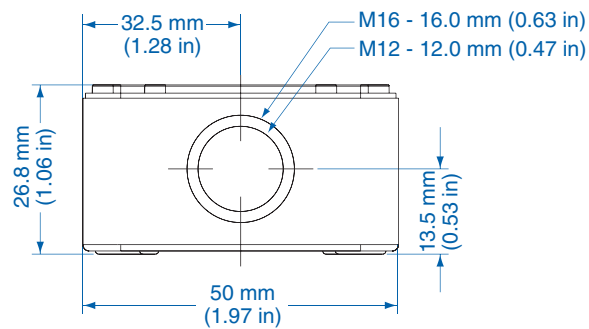
Ordering Information	Cat. No.	Type	Std. Pk.
Mounting Plate (TK55)	195-055	TKMPI-55	1
Mounting Plate (TK75)	195-075	TKMPI-75	1
PCB Bracket	194-110	MP/LPH	2
Mounting Bracket	194-002	MB	1

Please refer to pages 136-140 for additional accessories and detailed information.

Dimensions



Knockout Positions
(one side only)



TK 77 – Polystyrene and Polycarbonate – 65 x 65 mm (2.56 x 2.56 in.)

Standard Features

- **Protection Level:** IP66 (NEMA Type: 4X with gray cover, 12K with transparent cover)
- **Technical:** Smooth or Knockout Sidewalls
Gray or Tinted Transparent Cover
Multiple Enclosure Mounting Options
- **UL Recognized**
Enclosure Materials: Polystyrene or Polycarbonate
- **Gasket Material:** Polyurethane
- **Color:** Light Gray
- **Material**
Temperature Range: Polystyrene
-25°C to 70°C (-13°F to 158°F)
Polycarbonate
-40°C to 120°C (-40°F to 248°F)
- **Accessories:** See section below



Smooth Sidewalls

Ordering Information	Height mm (in)	Polystyrene				Polycarbonate			
		Cat. No.	Type	Cover Color	Std. Pk.	Cat. No.	Type	Cover Color	Std. Pk.
☐ Enclosure - low cover	57 mm (2.24 in)	110-401	PS 77-6-o	gray	5	120-401	PC 77-6-o	gray	5
☐ Enclosure - high cover	81 mm (3.19 in)	110-901	PS 77-8-o	gray	5	120-901	PC 77-8-o	gray	5
☐ Enclosure - low cover	57 mm (2.24 in)	111-001	PS 77-6-to	trans.	5	130-001	PC 77-6-to	trans.	5
☐ Enclosure - high cover	81 mm (3.19 in)	111-501	PS 77-8-to	trans.	5	130-501	PC 77-8-to	trans.	5

Sidewalls with Metric Knockouts

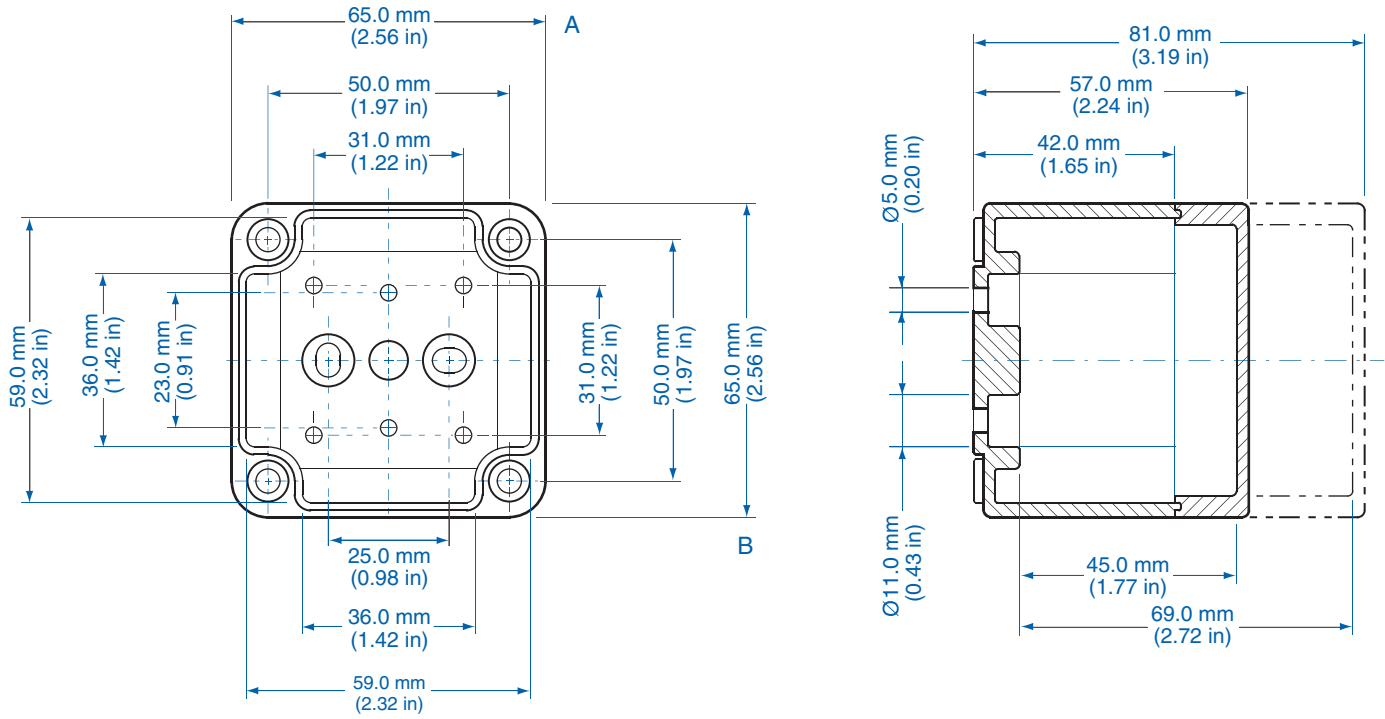
Ordering Information	Height mm (in)	Polystyrene				Polycarbonate			
		Cat. No.	Type	Cover Color	Std. Pk.	Cat. No.	Type	Cover Color	Std. Pk.
☐ Enclosure - low cover	57 mm (2.24 in)	105-401	PS 77-6-m	gray	5	127-401	PC 77-6-m	gray	5
☐ Enclosure - high cover	81 mm (3.19 in)	105-901	PS 77-8-m	gray	5	127-901	PC 77-8-m	gray	5
☐ Enclosure - low cover	57 mm (2.24 in)	106-001	PS 77-6-tm	trans.	5	137-001	PC 77-6-tm	trans.	5
☐ Enclosure - high cover	81 mm (3.19 in)	106-501	PS 77-8-tm	trans.	5	137-501	PC 77-8-tm	trans.	5

Accessories

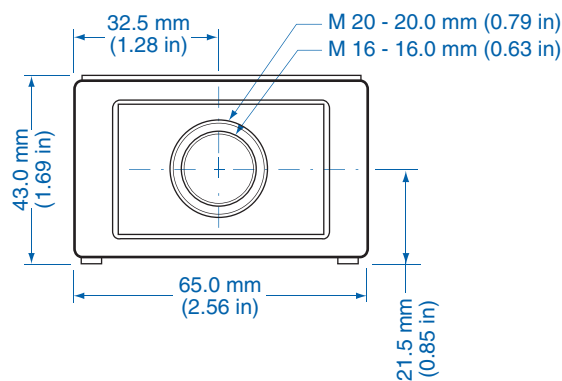
Ordering Information	Cat. No.	Type	Std. Pk.
Mounting Plate (plastic)	195-001	TKMPI-77	1
Mounting Plate (steel)	197-001	TKMPS-77	1
DIN Rail TS15-49.5mm	197-049	TS 15/49.5	1
Hinge Kit Set	190-002	HK1	1
Mounting Tab Kit	194-001	MT1	1

Please refer to pages 136-140 for additional accessories and detailed information.

Dimensions



Knockout Positions
(all 4 sides)



TK 97 – Polystyrene and Polycarbonate – 94 x 65 mm (3.70 x 2.56 in.)

Standard Features

- **Protection Level:** IP66 (NEMA Type: 4X with gray cover, 12K with transparent cover)
- **Technical:** Smooth or Knockout Sidewalls
Gray or Tinted Transparent Cover
Multiple Enclosure Mounting Options
- **UL Recognized**
Enclosure Materials: Polystyrene or Polycarbonate
- **Gasket Material:** Polyurethane
- **Color:** Light Gray
- **Material**
Temperature Range: Polystyrene
-25°C to 70°C (-13°F to 158°F)
Polycarbonate
-40°C to 120°C (-40°F to 248°F)
- **Accessories:** See section below



Smooth Sidewalls

Ordering Information	Height mm (in)	Polystyrene				Polycarbonate			
		Cat. No.	Type	Cover Color	Std. Pk.	Cat. No.	Type	Cover Color	Std. Pk.
☐ Enclosure - low cover	57 mm (2.24 in)	110-402	PS 97-6-o	gray	5	120-402	PC 97-6-o	gray	5
☐ Enclosure - high cover	81 mm (3.19 in)	110-902	PS 97-8-o	gray	5	120-902	PC 97-8-o	gray	5
☐ Enclosure - low cover	57 mm (2.24 in)	111-002	PS 97-6-to	trans.	5	130-002	PC 97-6-to	trans.	5
☐ Enclosure - high cover	81 mm (3.19 in)	111-502	PS 97-8-to	trans.	5	130-502	PC 97-8-to	trans.	5

Sidewalls with Metric Knockouts

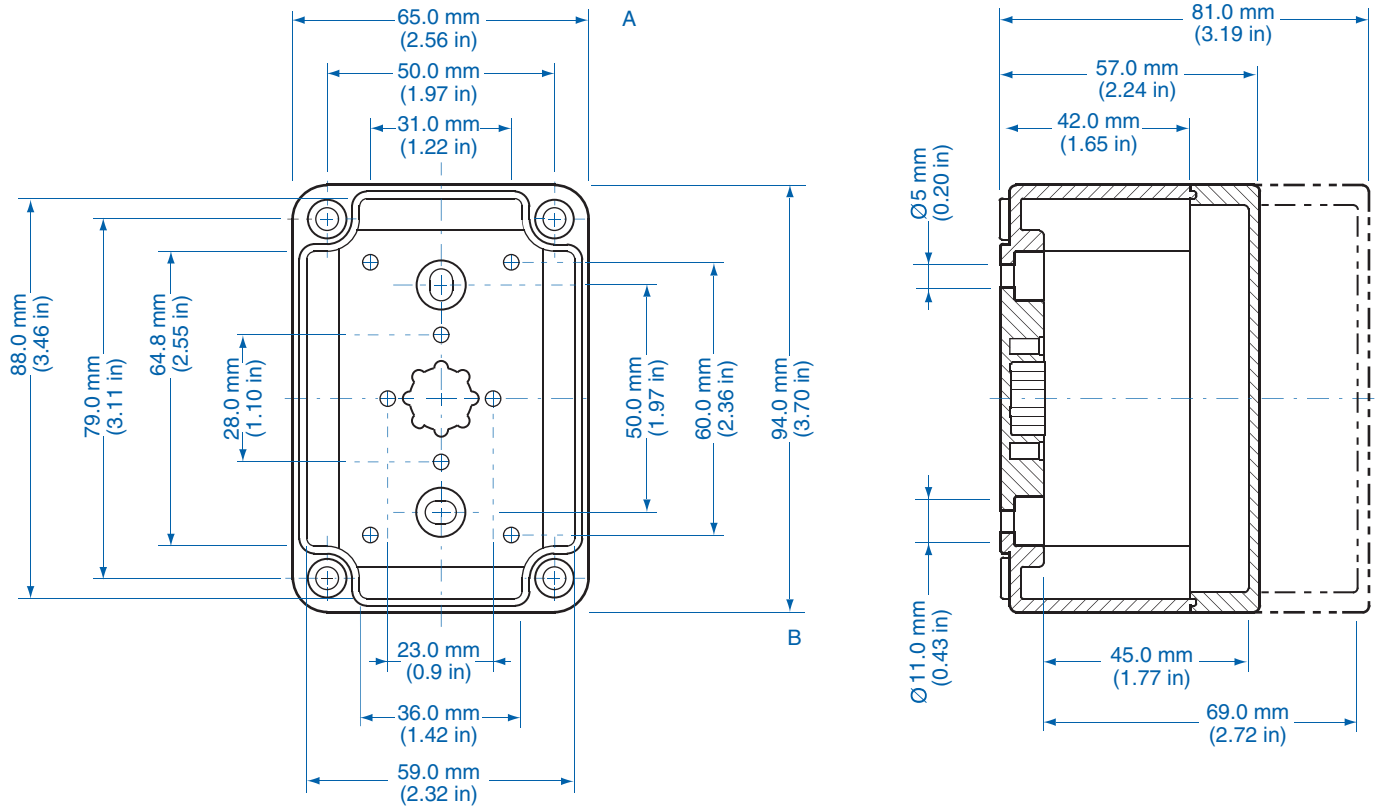
Ordering Information	Height mm (in)	Polystyrene				Polycarbonate			
		Cat. No.	Type	Cover Color	Std. Pk.	Cat. No.	Type	Cover Color	Std. Pk.
☐ Enclosure - low cover	57 mm (2.24 in)	105-402	PS 97-6-m	gray	5	127-402	PC 97-6-m	gray	5
☐ Enclosure - high cover	81 mm (3.19 in)	105-902	PS 97-8-m	gray	5	127-902	PC 97-8-m	gray	5
☐ Enclosure - low cover	57 mm (2.24 in)	106-002	PS 97-6-tm	trans.	5	137-002	PC 97-6-tm	trans.	5
☐ Enclosure - high cover	81 mm (3.19 in)	106-502	PS 97-8-tm	trans.	5	137-502	PC 97-8-tm	trans.	5

Accessories

Ordering Information	Cat. No.	Type	Std. Pk.
Mounting Plate (plastic)	195-002	TKMPI-97	1
Mounting Plate (steel)	197-002	TKMPS-97	1
DIN Rail TS15-80mm	197-080	TS 15/80	1
Hinge Kit Set	190-002	HK1	1
Mounting Tab Kit	194-001	MT1	1

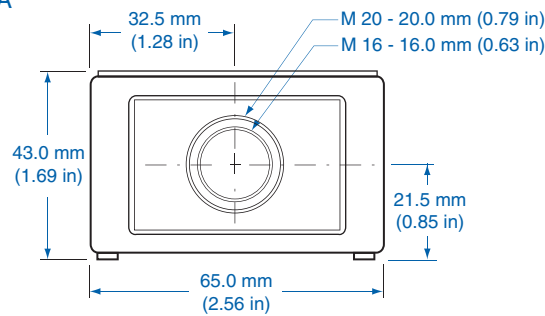
Please refer to pages 136-140 for additional accessories and detailed information.

Dimensions

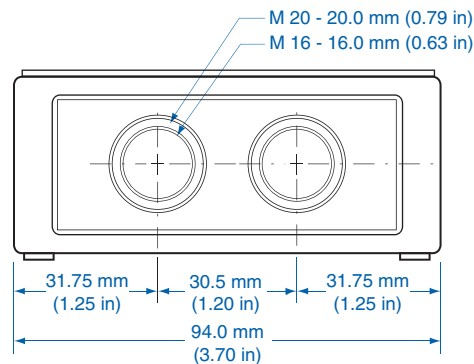


Knockout Positions

Side A



Side B



TK 99 – Polystyrene and Polycarbonate – 94 x 94 mm (3.70 x 3.70 in.)

Standard Features

- **Protection Level:** IP66 (NEMA Type: 4X with gray cover, 12K with transparent cover)
- **Technical:** Smooth or Knockout Sidewalls
Gray or Tinted Transparent Cover
Multiple Enclosure Mounting Options
- **UL Recognized**
Enclosure Materials: Polystyrene or Polycarbonate
- **Gasket Material:** Polyurethane
- **Color:** Light Gray
- **Material**
Temperature Range: Polystyrene
-25°C to 70°C (-13°F to 158°F)
Polycarbonate
-40°C to 120°C (-40°F to 248°F)
- **Accessories:** See section below



Smooth Sidewalls

Smooth Sidewalls			Polystyrene				Polycarbonate			
Ordering Information	Height mm (in)	Cat. No.	Type	Cover Color	Std. Pk.	Cat. No.	Type	Cover Color	Std. Pk.	
☐ Enclosure - low cover	57 mm (2.24 in)	110-403	PS 99-6-o	gray	4	120-403	PC 99-6-o	gray	4	
☐ Enclosure - high cover	81 mm (3.19 in)	110-903	PS 99-8-o	gray	3	120-903	PC 99-8-o	gray	3	
☐ Enclosure - low cover	57 mm (2.24 in)	111-003	PS 99-6-to	trans.	4	130-003	PC 99-6-to	trans.	4	
☐ Enclosure - high cover	81 mm (3.19 in)	111-503	PS 99-8-to	trans.	3	130-503	PC 99-8-to	trans.	3	

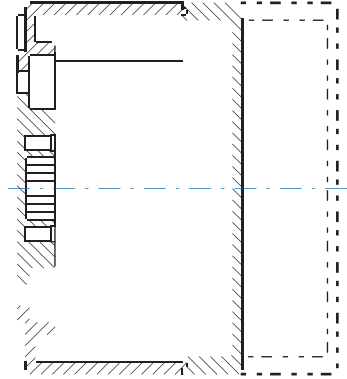
Sidewalls with Metric Knockouts

Sidewalls with Metric Knockouts			Polystyrene				Polycarbonate			
Ordering Information	Height mm (in)	Cat. No.	Type	Cover Color	Std. Pk.	Cat. No.	Type	Cover Color	Std. Pk.	
☐ Enclosure - low cover	57 mm (2.24 in)	105-403	PS 99-6-m	gray	4	127-403	PC 99-6-m	gray	4	
☐ Enclosure - high cover	81 mm (3.19 in)	105-903	PS 99-8-m	gray	3	127-903	PC 99-8-m	gray	3	
☐ Enclosure - low cover	57 mm (2.24 in)	106-003	PS 99-6-tm	trans.	4	137-003	PC 99-6-tm	trans.	4	
☐ Enclosure - high cover	81 mm (3.19 in)	106-503	PS 99-8-tm	trans.	3	137-503	PC 99-8-tm	trans.	3	

Accessories

Ordering Information	Cat. No.	Type	Std. Pk.
Mounting Plate (plastic)	195-003	TKMPI-99	1
Mounting Plate (steel)	197-003	TKMPS-99	1
DIN Rail TS15 - 80 mm	197-080	TS 15/80	1
Hinge Kit Set	190-002	HK1	1
Mounting Tab Kit	194-001	MT1	1

Please refer to pages 136-140 for additional accessories and detailed information.



ERROR: rangecheck
OFFENDING COMMAND: .buildshading2

STACK:

-dictionary-
-dictionary-