

LFJ1000 SERIES SOLAR FUSE BLOCK

1000 VDC • Clip-to-Box • Stud-to-Stud • Clip-to-Stud



Description

The LFJ1000 series fuse block is specifically designed for the Littelfuse SPFJ 1000 V Solar Fuse. It meets UL electrical requirements, is available in multiple amperages, and comes in a variety of fuse mounting and termination configurations; fuse clip to box lug, fuse stud to wire stud and fuse clip to wire stud.

Features/Benefits

- Narrow width increases space savings
- Range of amperages to match all SPFJ fuse options
- Box Lug termination style accommodates a wide range of cable sizes
- Stud-mounted option increases convenience
- Approval for use with copper or aluminum lugs allowing for design flexibility

Ordering Information (Clip-to-Box Lug 1000 V)

AMPERAGE	ORDERING NUMBER	INTERRUPT RATING	WIRE RANGE STANDARD (METRIC)		WIRE TYPE	RECOMMENDED TORQUE
			250 kcmil - #6 (127mm ² - 16mm ²)	350 kcmil - 1/0 (177mm ² - 55mm ²)		
200	LFJ102001C	20 kA	250 kcmil - #6 (127mm ² - 16mm ²)		Cu/Al Solid/ Stranded	275 in-lb (31.1 N-m)
400	LFJ104001C	10 kA	350 kcmil - 1/0 (177mm ² - 55mm ²)			275 in-lb (31.1 N-m)
450	LFJ104501C	20 kA	500 kcmil - #4 (253mm ² - 25mm ²)			375 in-lb (42.4 N-m)

(Stud-to-Stud 1000 V)

AMPERAGE	ORDERING NUMBER	INTERRUPT RATING	RECOMMENDED TORQUE		MAX. BUSBAR THICKNESS	RECOMMENDED BASE TORQUE	
			FUSE	TERMINAL		BOLT SIZE	TORQUE
200	LFJ102001STST	20 kA	65 in-lb (7.3 N-m)	200 in-lb (22.6 N-m)	.774" (19.66 mm)	1/4" 5/16"	30-40 in-lb 40-50 in-lb
400	LFJ104001STST	10 kA	170 in-lb (19.2 N-m)	200 in-lb (22.6 N-m)	.555" (14.10 mm)		30-40 in-lb 40-50 in-lb
450	LFJ104501STST	20 kA	300 in-lb (33.9 N-m)	300 in-lb (33.9 N-m)	.570" (14.18 mm)		30-40 in-lb 40-50 in-lb

(Clip-to-Stud 1000 V)

AMPERAGE	ORDERING NUMBER	INTERRUPT RATING	RECOMMENDED TORQUE		MAX. BUSBAR THICKNESS	RECOMMENDED BASE TORQUE	
			FUSE	TERMINAL		BOLT SIZE	TORQUE
200	LFJ102001CST	20 kA	200 in-lb (22.6 N-m)	200 in-lb (22.6 N-m)	.774" (19.66 mm)	1/4" 5/16"	30-40 in-lb 40-50 in-lb
400	LFJ104001CST	10 kA	200 in-lb (22.6 N-m)	200 in-lb (22.6 N-m)	.555" (14.10 mm)		30-40 in-lb 40-50 in-lb
450	LFJ104501CST	20 kA	300 in-lb (33.9 N-m)	300 in-lb (33.9 N-m)	.570" (14.18 mm)		30-40 in-lb 40-50 in-lb

Specifications

Voltage Ratings	1000 VDC
Ampere Ratings	200, 400, 450 A
Flammability Rating	UL94 V-0
Termination Type	Box Lug or Stud Mount
Base Temp Rating	130° C
Approvals	UL 4248-18 Listed File: E345481 Vol. 1 RoHS Compliant
Environmental	

Recommended Fuses

SPFJ Solar Series

Web Resources

Sample requests, downloadable CAD drawings, dimensions and other technical information:

Littelfuse.com/LFJ1000

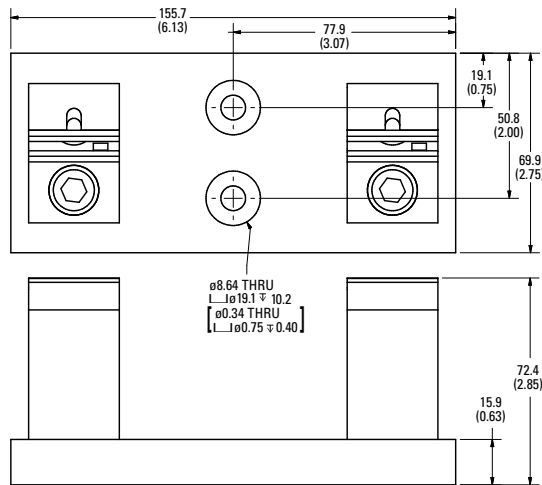
For a comprehensive overview of solar market solutions, visit: Littelfuse.com/Solar

Motion Technologies 480-303-9155
<http://www.motiontechnologies.com>

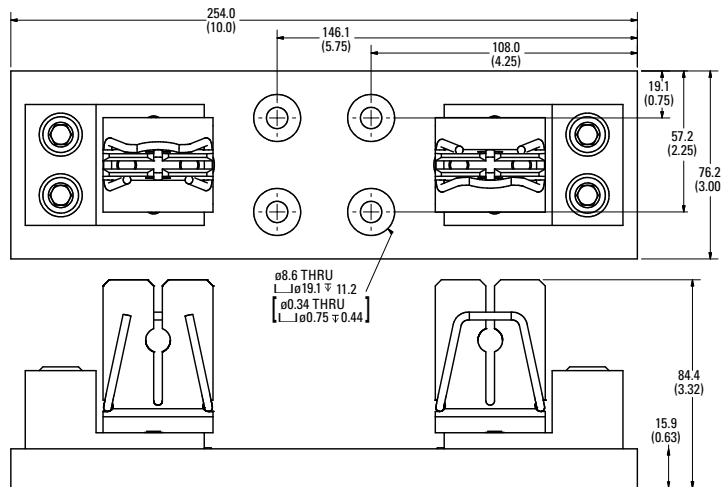
LFJ1000 SERIES SOLAR FUSE BLOCK

Dimensions mm (inches)

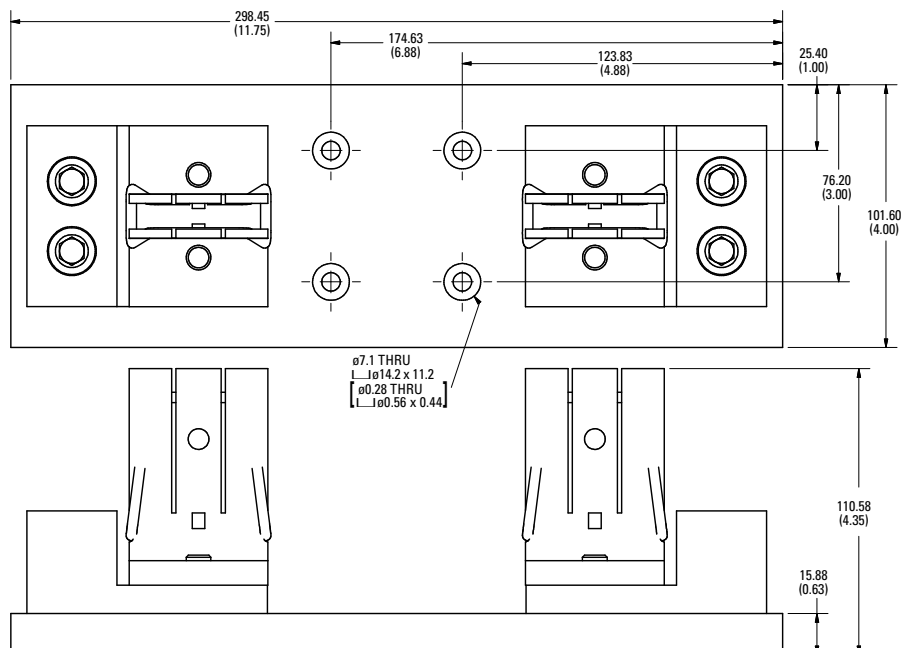
Clip-to-Box 1000 V 200 A



Clip-to-Box 1000 V 400 A



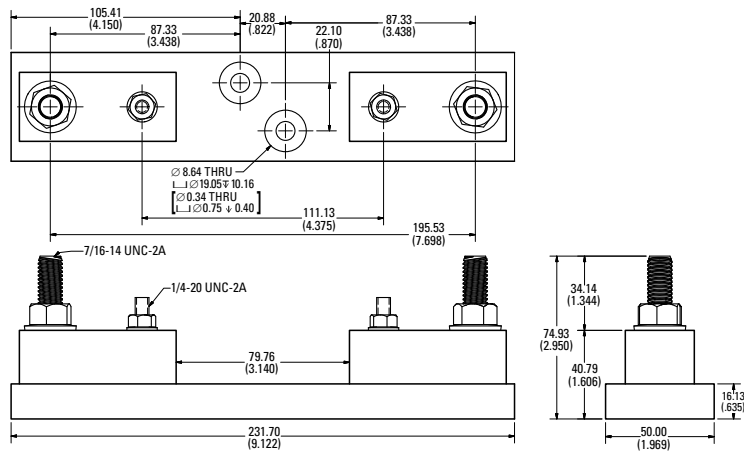
Clip-to-Box 1000 V 450 A



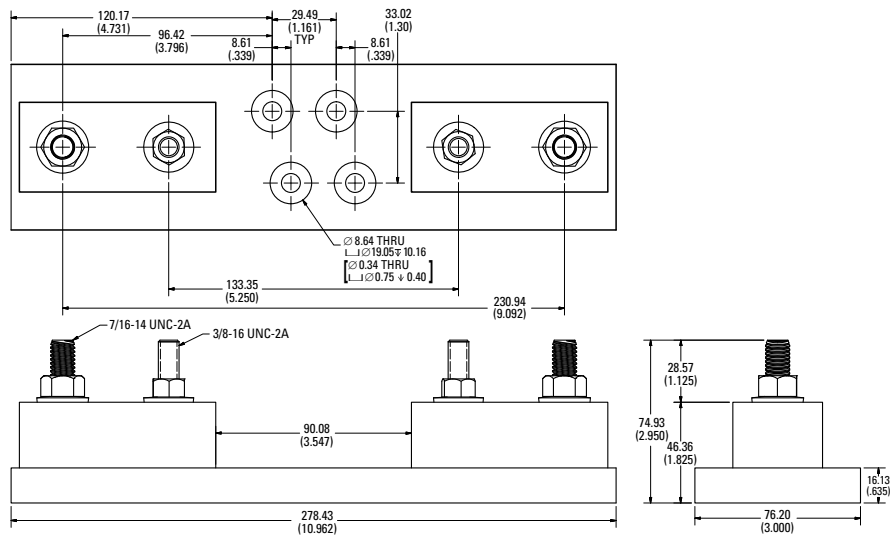
LFJ1000 SERIES SOLAR FUSE BLOCK

Dimensions mm (inches)

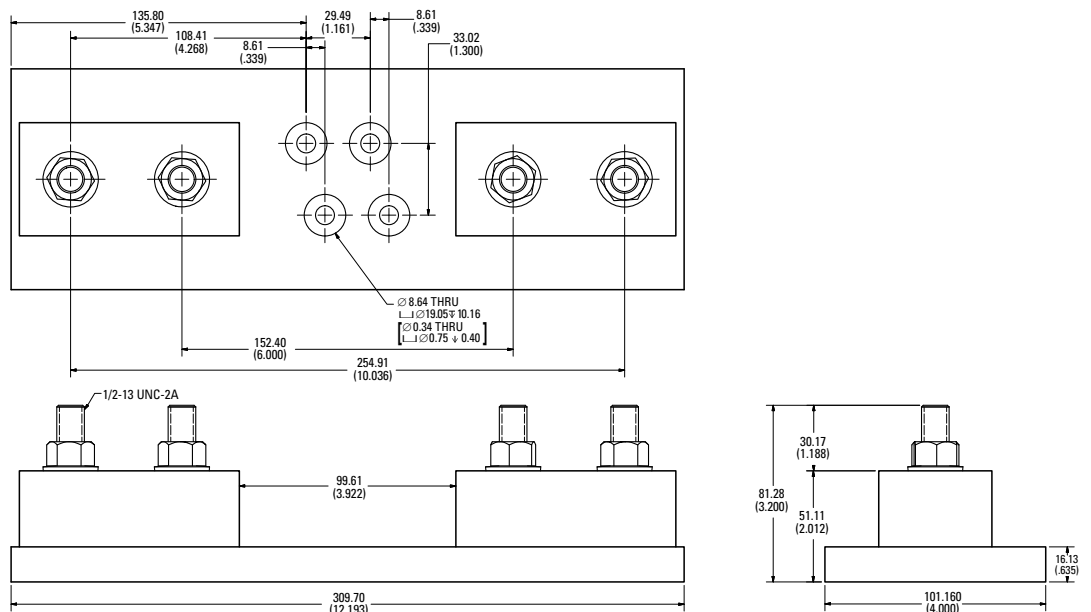
Stud-to-Stud 1000 V 200 A



Stud-to-Stud 1000 V 400 A



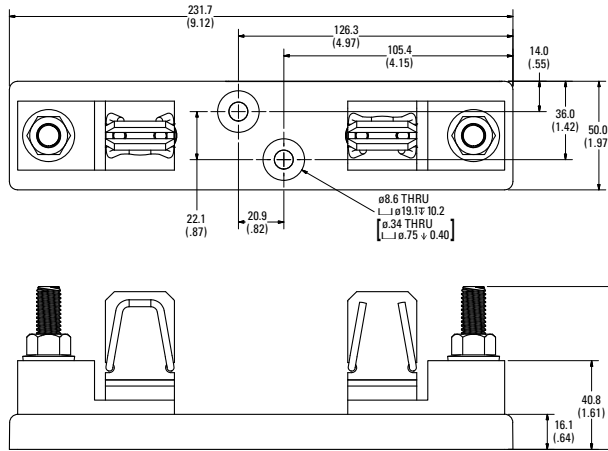
Stud-to-Stud 1000 V 450 A



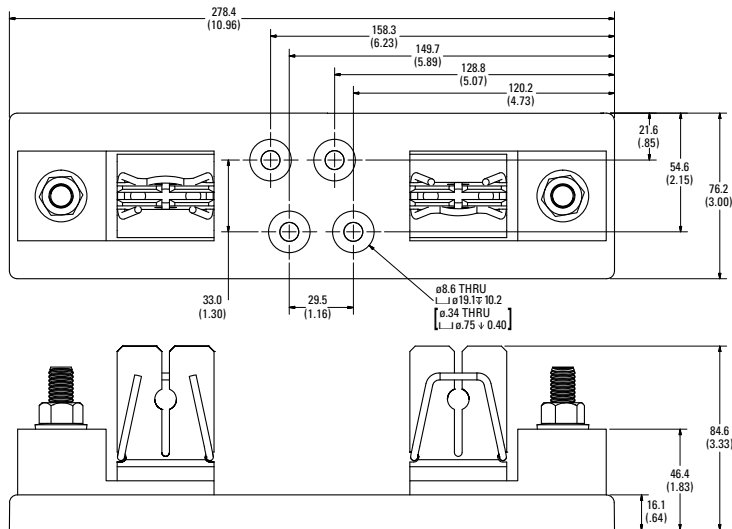
LFJ1000 SERIES SOLAR FUSE BLOCK

Dimensions mm (inches)

Clip-to-Stud 1000 V 200 A



Clip-to-Stud 1000 V 400 A



Clip-to-Stud 1000 V 450 A

