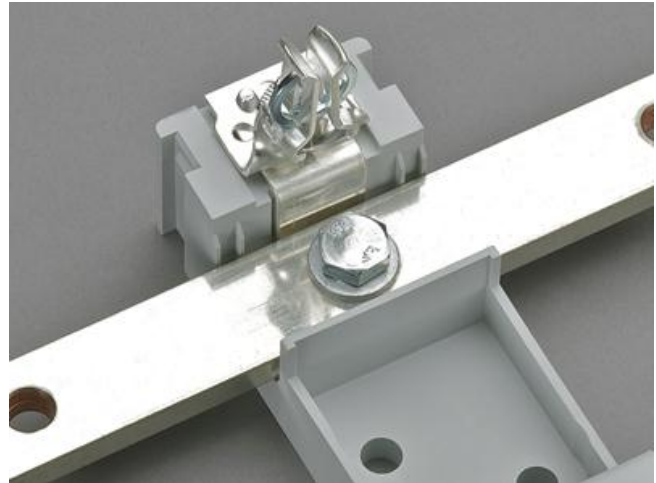
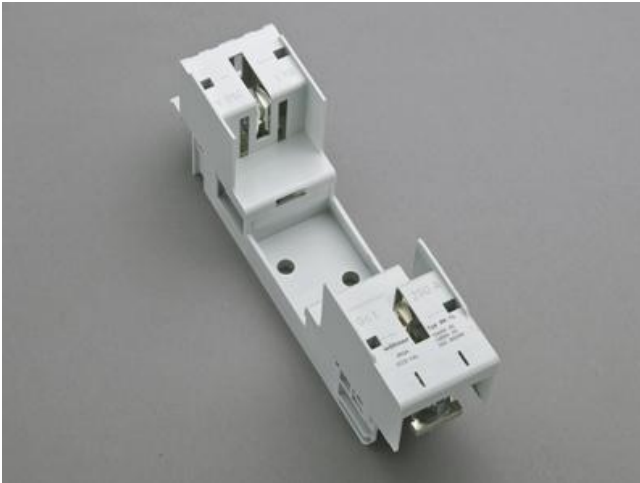


The new NH fuse bases for photovoltaics

Direct busbar connection inside the base



Advantages

Time and cost savings

- including touch protection
- direct busbar connection without cabling
- space savings due to the busbar mounted inside the base

With the new NH fuse bases Wöhner is relying on busbar technology also in the field of photovoltaics. The widespread NH fuse sizes 1XL, 2XL and 3L are supported. The last ones fit into the same fuse base because of very similar dimensions.

The copper busbar which is collecting the energy from the PV generators is mounted inside the fuse bases. Expensive cabling from each fuse to the common busbar is omitted. Time and costs for the installation is saved. The space for the external busbar is saved too.

Use the optional grip lug covers to improve the touch protection if necessary. Additional covers are omitted.

Up to two busbars 30 x 10 mm can be mounted inside the fuse base for size NH-1XL. The fuse base for size 2XL and 3L can contain up to two busbars 40 x 10 mm. With the inverter cable connected in the middle of the busbar 3200 A can be collected.

For a smart monitoring of the PV generators Wöhner offers the fuse base size NH-1XL also with an included holder for a current transformer. For easy generator cable connection the cable does not have to be put through the CT.

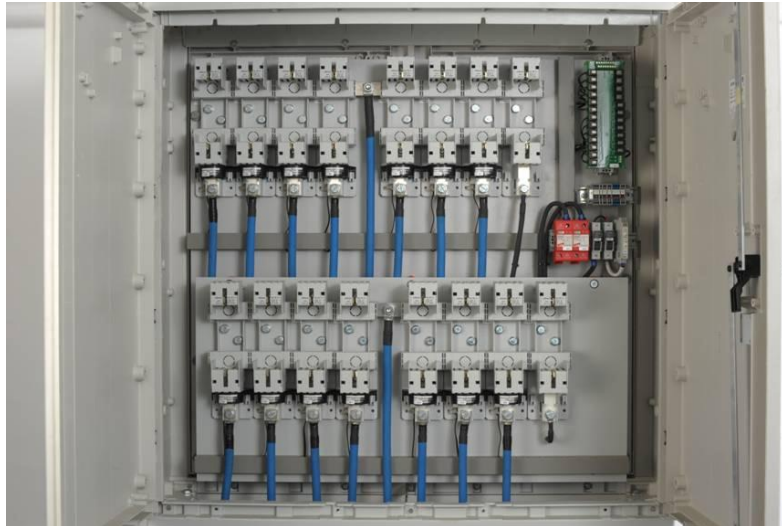
Wöhner is also offering similar fuse bases with screw connection on both sides for traditional cabling. All this fuse bases are future-proof because of their high voltage rating of 1500 V DC.

Potential customers for the new NH fuse bases for photovoltaics

- Inverter manufactures
- Manufacturers of combiner boxes
- PV system installers

The new NH fuse bases for photovoltaics

Direct busbar connection inside the base



NH fuse base for Photovoltaic

Part number SZ 1XL	03289	EAN Code	4021267032890
List price	60,20 €	Pack Size	3
Product group	10	Sub group	06
Dimension (WxHxD)	60 x 266 x 102 mm	Weight	580 g
Copper weight	139 g	Silver weight	0,585 g
Rated voltage	1500 V DC	Rated current	200 A
Approvals	CE, (UL 4248-18 pending)		

Part number SZ 2XL/3L	03293	EAN Code	4021267032937
List price	96,70 €	Pack Size	3
Product group	10	Sub group	13
Dimension (WxHxD)	83 x 264 x 147 mm	Weight	1470 g
Copper weight	447 g	Silver weight	1,094 g
Rated voltage	1500 V DC	Rated current	400 A
Approvals	CE, (UL 4248-18 pending)		

Accessories:		Part number
Grip lug cover	for 1XL, 2XL / 3L (Pack size 30)	79449
Wedge clamp terminal	for 1XL Cu and Al 50 – 185 mm ²	33167
	for 2XL / 3L Cu and Al 150 – 240 mm ²	33168

Device versions:		
NH-fuse base size 1XL with CT holder (LEM HTA ***)		03288
NH-fuse base size 1XL with M10 screw on both sides		03290
NH-fuse base size 2XL / 3L with M12 screw on both sides		03294

Motion Technologies : Phone - 480-303-9155